

ROOMSENSE

Kitchens | Bedrooms | Bathrooms



kitchen
ACCESSORIES

find a perfect
finishing touch

INTERNAL ACCESSORIES



Pull-out Ironing Board. Sleeve Cover
Cabinet Width 362-500mm 01IRON-SAB
568.60.710



Pull-out Table. Stainless Steel Effect
For 600mm Base Cabinet Drawer
505.58.002



Pull-out Veg Baskets. Pairs.
300mm 540.18.201 500mm 540.18.204
400mm 540.18.202 600mm 540.18.205



Chrome Wine Rack
For 300mm wide Base or Wall unit.
01CWR



Pull-out Base with Anthracite Storage Baskets
300mm 545.12.502
600mm 545.12.505



150mm Chrome Wire Pull-out
01150PB

INTERNAL ACCESSORIES



180° Neutral Carousel for
Conventional Corner base unit.
10C180N



180° Chrome Carousel for Conventional Corner base unit.
400mm width 542.41.220
450mm width 542.41.230



270° Neutral Carousel for
905mm x 905mm Corner base unit.
541.41.711



270° Chrome Carousel for
905mm x 905mm Corner base unit.
542.35.250



Cornerstone Swing Pull-out Lava
400mm door 542.05.870
450mm door 542.05.871
500mm door 542.05.872
600mm door 542.05.873



LEFT HAND MAGIC CORNER IS SHOWN

Magic Corner (Classic Silver). German made.

400mm min door 548.17.800 Right H.
450mm min door 548.17.810 Right H.
548.17.801 Left H. £457
548.17.811 Left H.

INTERNAL ACCESSORIES



Swing-out Larder (Classic Silver). German made

300mm width 549.57.954
400mm width 549.57.964



Swing-out Larder (Classic Silver). German made

500mm width 549.58.934
600mm width 549.58.944



Solid Base Swing-out Larder. Solid Base Lava.
German Made.

300mm 549.57.044
400mm 549.57.034



Solid Base Swing-out Larder. Solid Base Lava.
German Made.

500mm 549.57.004
600mm 549.57.014

INTERNAL ACCESSORIES



Blum Antaro Space Tower - Internal Drawers for Larder Units

4 deep drawers, 1 shallow.
Weight capacity - 30kg per drawer
Guaranteed for life.

300mm width CCAIDK3
400mm width CCAIDK4
500mm width CCAIDK5
600mm width CCAIDK6

**SOFT
CLOSE**



**SOFT
CLOSE**

Magic Corner (Solid base lava). German made.

400mm min door	500mm min door
548.13.624 Right hand	548.13.626 Right hand
548.13.625 Left hand	548.13.627 Left hand



**SOFT
CLOSE**

150mm Base Pull-out with Anthracite Baskets.
545.12.500



Wicker Baskets (set of 2)
500mm 540.55.003
600mm 540.55.005



Cutlery Trays

300mm width 10TBCT3	500mm width 10TBCT5
400mm width 10TBCT4	600mm width 10TBCT6
450mm width 10TBCT45	



Cutlery Tray

700mm width 01TBCT7	1000mm width 10TBCT10
800mm width 01TBCT8	1200mm width 10TBCT12
900mm width 01TBCT9	

INTERNAL ACCESSORIES



Adjustable Leg Chrome (Decorative)
01SSLEG



Breakfast Bar Leg - 870mm
Chrome 01BBC
Satin-Chrome 01BBSC



Heat Shields
600mm 91HD60SS
720mm 91HD72SS
890mm 91HD89SS



Twin Towel Rail Alloy
10TOWELA

WASTE BINS

Here at Roomsense we stock a large variety of kitchen bins and waste solutions to suit all kinds of kitchen designs. From mounted bins to swing-out and pull-out bins, we offer many solutions, fit for cabinets of varied sizes.

Our carefully selected range of high quality bins from renowned suppliers are some of the best in the market.



have a closer look...



WASTE BINS

**SOFT
CLOSE**



XX Pro S Pull-out Waste Bin. Lava Grey Finish.
 German made. Cabinet with bin included.
 1 x 32Ltr + 1 x 1.2Ltr
 300mm 503.44.310
 400mm 503.44.311

**SOFT
CLOSE**



XX Pro S Pull-out Waste Bin. Lava Grey Finish.
 German made. Cabinet with bin included.
 2 x 32Ltr
 450mm 503.44.312
 500mm 503.44.313

**SOFT
CLOSE**



XX Pro S Pull-out Waste Bin. Lava Grey Finish.
 German made. Cabinet with bin included.
 2 x 32Ltr + 1 x 21Ltr
 600mm 503.44.314



300mm Base. 1 - 20Ltr, 1 - 10Ltr
ECWB32



400mm Base. 1 - 20Ltr, 2 - 10Ltr
ECWB43



600mm Base. 1 - 34Ltr, 2 - 17Ltr
ECWB63



500mm Base - Face Fixed. 1 - 34Ltr, 2 - 17Ltr

ECWB53



Waste Bin - Stainless Steel
Fixed to Door. 13 litre capacity
Height 470mm Width 340mm Depth 285mm
10BINS

MISCELLANEOUS ACCESSORIES



**Stainless Steel Effect Plinth (Comprises:
1 x 3 mtr length. 4 clips. 2 corners & 1 Straight Joint)**



Stainless Steel Effect Plinth
150mm x 3mtr 01SSP150
180mm x 3mtr 01SSP180



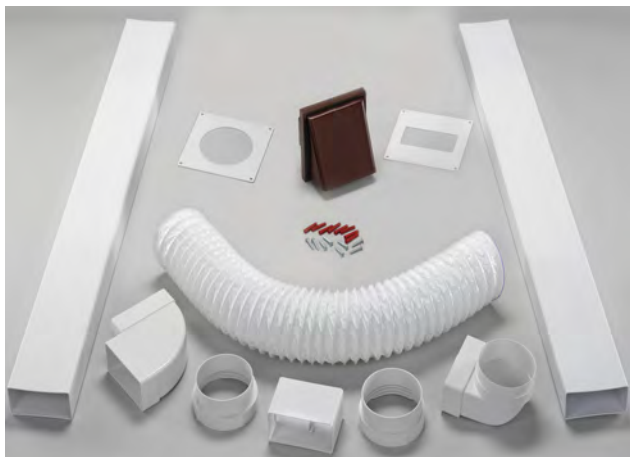
Stainless Steel Effect Curved Plinth LH + RH
150mm 01CSSPL 180mm 01CSSPL
150mm 01CSSPR 180mm 01CSSPR



BLUM Hinge
100° Hinge inc. back plate



BLUM Hinge
170° Hinge inc. back plate



3mtr Extractor Duct Set
4"/5" Universal
9135UVK



1mtr Extractor Duct Set
4"/5" Universal
9115UVK

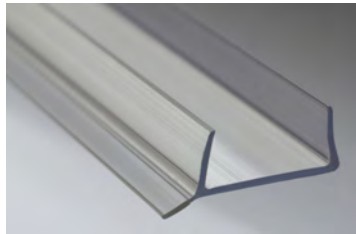
MISCELLANEOUS ACCESSORIES



Mitre Bond Pen Kit -
3 x 50G
Adhesive + Pen
(Recommended for
careful use with
pvc cornice)
10MBPK



Mitre Bond
Joint Adhesive
(For general bonding,
not for use on pvc)
10CFMB150



3Mtr Kitchen Plinth
Sealing Strip
01KPSTRIP



Worktop Mitre Jointing Bolts.
01WMB

To help you choose a finish of Colorfill we have selected the colour which our design team recommends could be used to compliment each individual style.

Shown below are the recommendations.

Solvent 10CFSOLV



CODE	COLOUR	RECOMMENDED USE WITH
10CF026	Colorfill Coffee Cream	Coco Bolo
10CF027	Colorfill Cool Palette	Calcutta Marble
10CF036	Colorfill Earth Dust	Driftwood
10CF042	Colorfill Folkestone	Chaux Sable Fizzy
10CF048	Colorfill Cool Grey Glint	White Sparkle
10CF056	Colorfill Medium Bridge Oak	Colmar Oak / Walnut Block
10CF086	Colorfill Stardust	Brazilia
10CF089	Colorfill Storm	Black Sparkle
10CF112	Colorfill Colorado Oak	Colorado Oak
10CF113	Colorfill Stone	Kerala
10CF116	Colorfill Mississippi Pine	Mississippi Pine
10CF145	Colorfill Black Granite	Des Blk / Winter Carnival
10CF232	Colorfill Green Slate	Black Atrium
10CF256	Colorfill Tavira	Av Brown Grey / Bronzite
10CF269	Colorfill Dexion Grey	Mystic Pine
10CF326	Colorfill Dark Granite	Mountain Lodge / Oratorio
10CF391	Colorfill Grey Slate	Lunar Night
10CF405	Colorfill Grey	Avola Grey
10CF414	Colorfill Dark Melange	Lima
10CF437	Colorfill Dark Grey	Everest

91SS2E5



91SS2E5 Electric Heater
91mm H x 290mm W x 240mm D
Energy efficient electric Plinth Heater
Heat output 1000W - 2000W
Suitable for room size of up to 29m sq.
Supplied with a brushed steel grill.

91SS95



91SS95 Hydronic Plinth Convactor
91mm H x 405mm W x 353mm D
Heat output 2200W - 7507 Btu's
Suitable for room size of up to 63m sq.
Supplied with a brushed steel grill.

91SS75



91SS75 Hydronic Plinth Convactor
91mm H x 322mm W x 288mm D
Heat output 1600W - 5500 Btu's
Suitable for room size of up to 46m sq.
Supplied with a brushed steel grill.

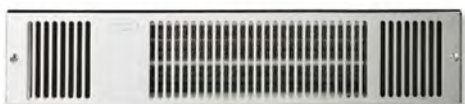
Replacement Coloured Grill Covers are available for all models.



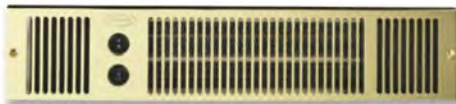
Black



Brown



Chrome



Gold

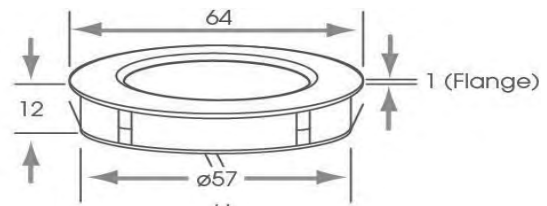


White



*kitchen
lighting*

& Power Accessories



Spacer Depth



Cut out size = 57mm

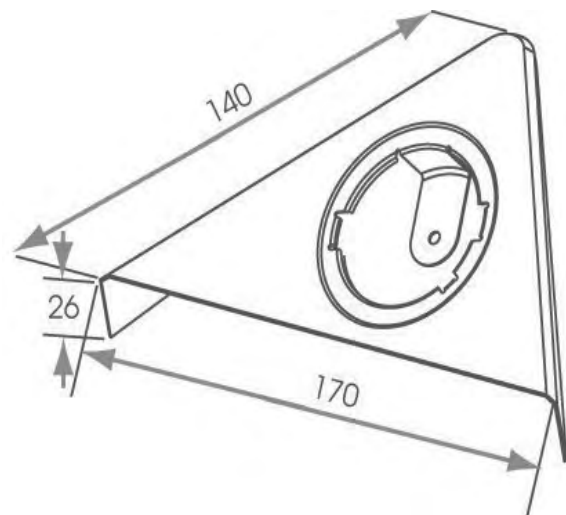
Vega Diffused Surface / Recessed Light

Brushed Nickel body, supplied with a collar for surface mounting or use without for recessing. Diffused lighting mimics the appearance of halogen, with no visible LED points. 2.3W. 12Vdc. IP20 rated

Available in:
Natural White

Code:
SLVEGSRNW

Drivers Required:
12Vdc 8W LED (1-3 lights) SL3PD
12Vdc 15W LED (1-6 lights) SL6PD



Vega Diffused LED Designer Tri-Light

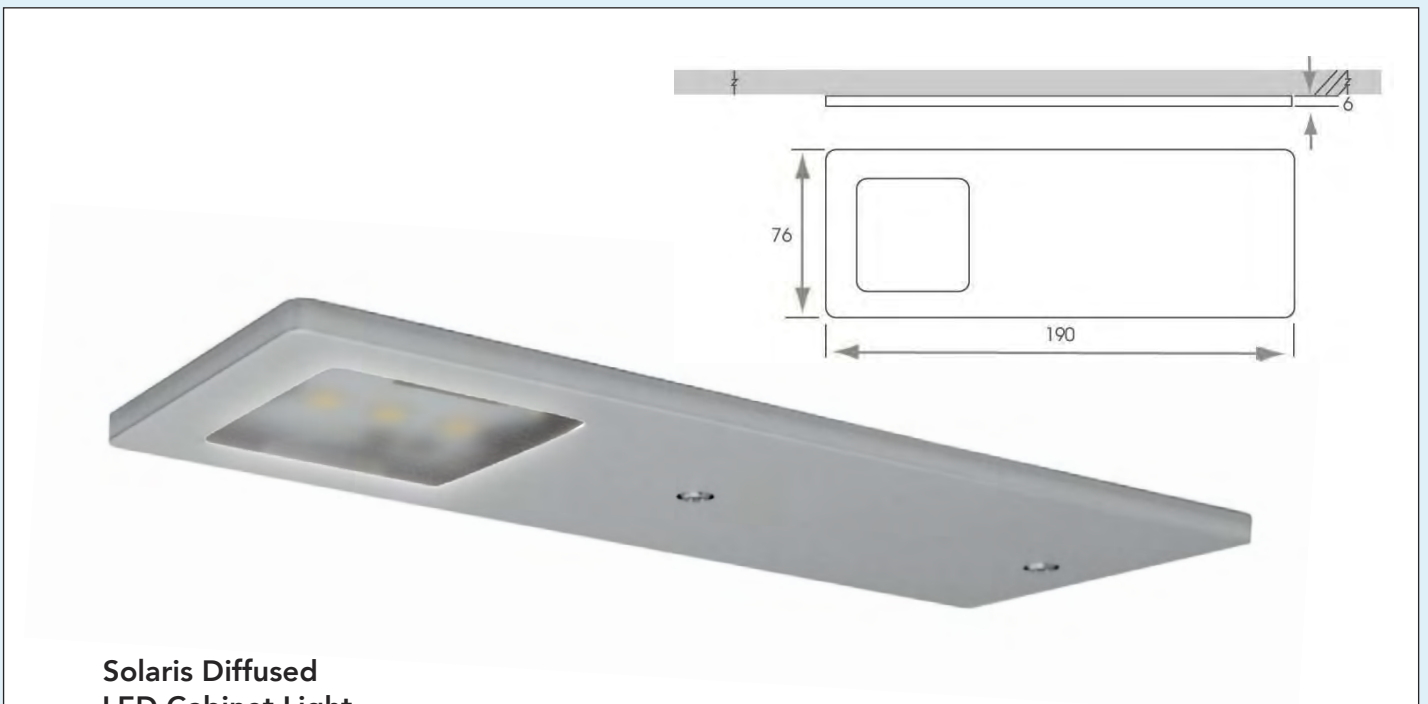
Stainless Steel body.
Diffused lighting mimics the appearance of halogen with no visible LED points.
2.3W. 12Vdc. IP20 rated

Available in:
Natural White

Code:
SLVEGTRINW

Drivers Required:
12Vdc 8W LED (1-3 lights) SL3PD
12Vdc 15W LED (1-6 lights) SL6PD

LED LIGHTING



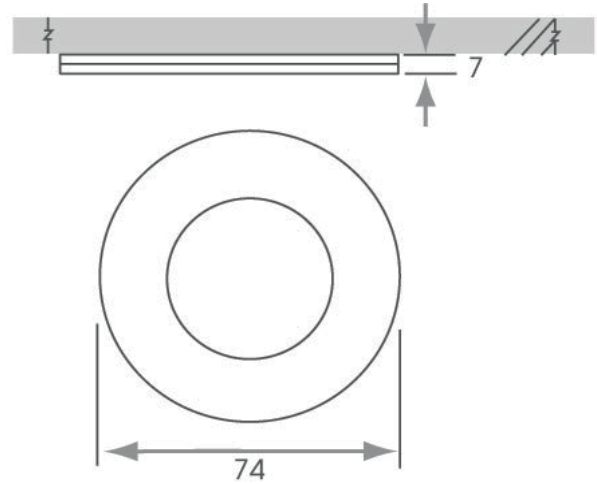
Solaris Diffused LED Cabinet Light

Designed for either under cabinet or in cabinet lighting, the Solaris light features an aluminium body engineered to a super slim depth of only 6mm. The diffused light has a 120 degree beam angle which will fill cabinets or eliminate dark areas of work surface. 3.5W - 12Vdc. IP20 rated.

Available in:
Natural White

Code:
SLSOLNW

Drivers Required:
12Vdc 8W LED (1-3 lights) SL3PD
12Vdc 15W LED (1-6 lights) SL6PD



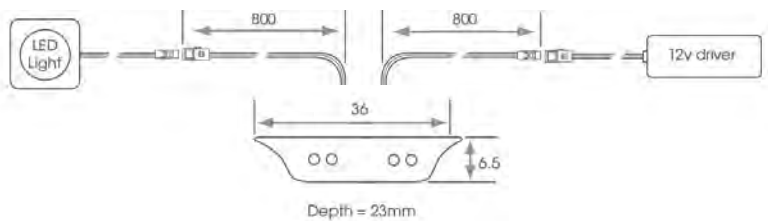
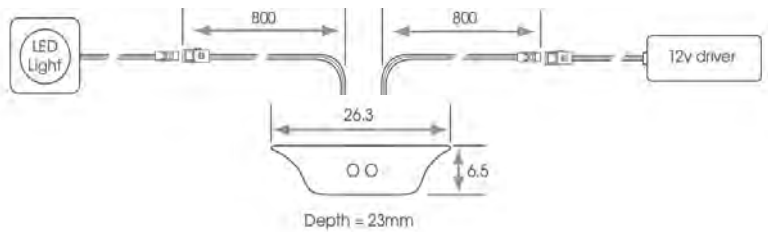
Sirius Magnetic Diffused LED Super Slim Cabinet Light

Brushed Nickel super slim 8mm cabinet light with diffused cover. Available in Natural White. The unique magnetic fixing method makes for ease of installation.
2W. 12Vdc. IP20 rated

Available in:
Natural White

Code:
SLSLIMNW

Drivers Required:
12Vdc 8W LED (1-3 lights) SL3PD
12Vdc 15W LED (1-6 lights) SL6PD



Single & Double Door Sensor Switch

Designed for single or double doored cabinets. Automatically turning on an internal light (or vertical strip lighting in taller units) when the cabinet door is opened. Light turns off when cabinet door is closed. Sensor switch is designed for use with one light.
24W maximum. Surface mounted. 800mm cable length.

Code:
Single Door Sensor Switch SLSEN1
Double Door Sensor Switch SLSEN2

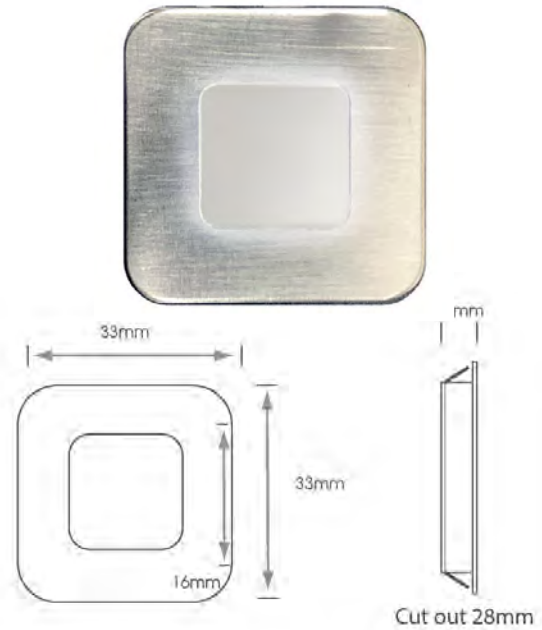
LED LIGHTING



Vega Square Plinth Light Kit (Pack of 4) inc. Driver

Enabling plinth lighting to match the balance of our diffused lighting range, these carefully selected lights have been chosen to compliment slab, shaker, 'J' profile and handleless kitchen styles.

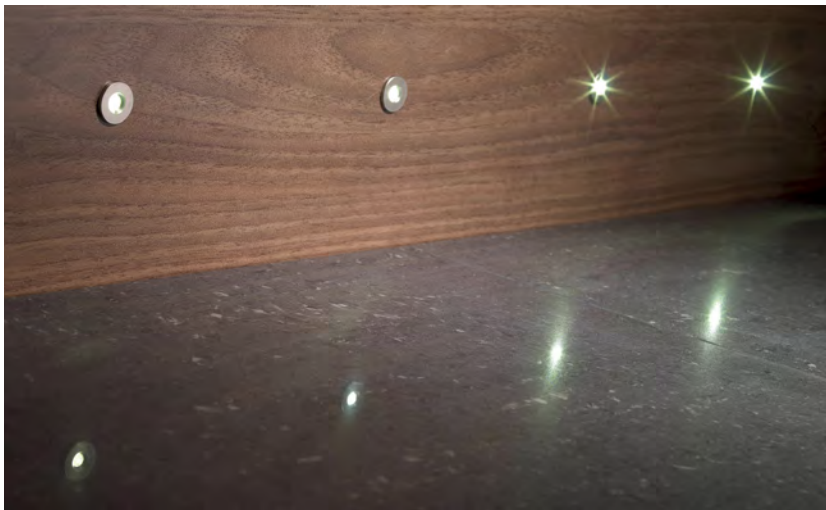
Available in Natural White only, making them suitable for both contemporary and traditional kitchens.



Recessed installation. Sold as pack of four. 12V. 1.2W. Cable length 1.5metre. IP20 rated. Driver included.

Available in:
Natural White (pack of 4)

Code:
SLVEGSQNW

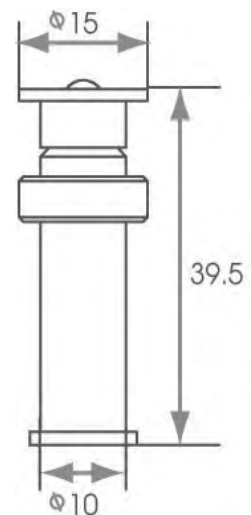


15mm Round LED Plinth Light Kit (Pack of 10) inc. Driver

If discreet plinth lighting is required, this selection is the perfect specification. The kit includes ten 15mm round plinth lights available in Cool White light.

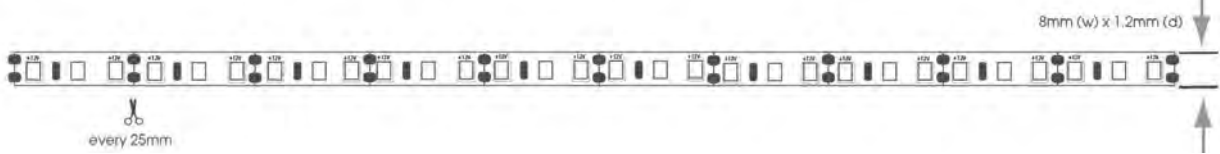
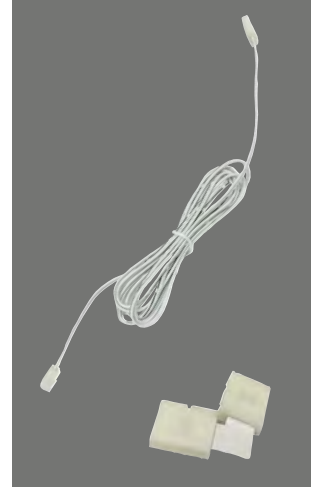
Driver included. 12V. 0.2W.

Cable length 2 metres. IP67 rated.



Available in:
Cool White (pack of 10)

Code:
SLPLINTHCW



LED Strip Lighting

Five metres of LED strip supplied with a high contact adhesive backing. Can be cut at 25mm intervals. Available in Natural White light. Also available corner connectors and reconnection clamp/cable.

12V. 4W per metre. 120 LED's per metre.

Cable length 2 metres at each end. IP20 rated.

Available in:
Natural White

Code:
SLLEDSTNW

Reconnection Clamp+2m Cable
Corner Connectors
Driver Required 15W
(runs up to 3m)

SLRECCL
SLCORCON
SL6PD

Driver Required 20W
(runs up to 5m)

SL6PD20W



Diffused LED Strip Lighting (5 Metres)

Five metres of COB diffused LED lighting strip supplied with high contact adhesive 3M backing. This lighting offers a consistent level of lighting throughout the length, with no visible diodes. Can be cut at 50mm intervals. Available in Natural White light. Also available reconnection distribution cable.

12V. 4W per metre. 378 LED's per metre. Cable length 1.5 metres at each end. IP20 rated.

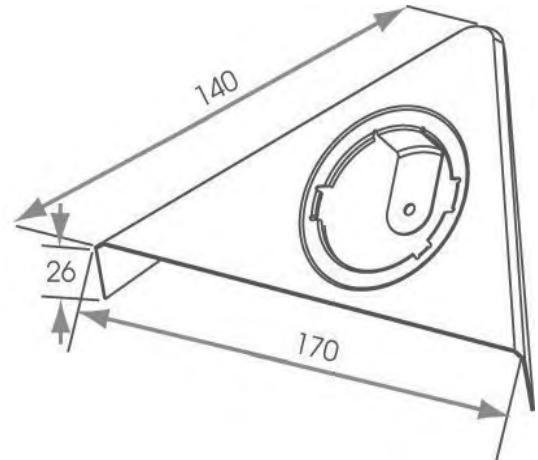
Available in:
Natural White

Code:
SLCOBLEDNW

Reconnection Distribution
Cable (1.5m)
Driver Required 15W
(runs up to 3m)
Driver Required 20W
(runs up to 5m)

SLRECD15
SL6PD
SL6PD20W

LED LIGHTING



**Non Diffused
LED Designer Polaris Triangle Light**

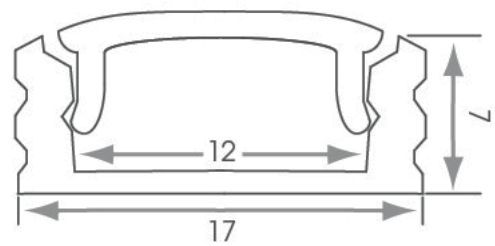
Stainless Steel body.
Non diffused
1.8W. 12Vdc.

Available in:
Cool White

Code:
SL24PTSS

Drivers Required:
12Vdc 8W LED (1-3 lights) SL3PD
12Vdc 15W LED (1-6 lights) SL6PD

Lighting Accessories



200mm in length

**Aluminium Profiles
For use with LED strip lighting**

Stainless Steel body.
Surface mounted.
1.8W. 12Vdc

Code:
SLALPR2



8W 12Vdc LED Driver / Power Connector

12Vdc rated. 8W maximum. Complete with 3 way AMP block.

Code: SL3PD



15W 12Vdc LED Driver / Power Connector

12Vdc rated. 15W maximum. Complete with 6 way AMP block.

Code: SL6PD

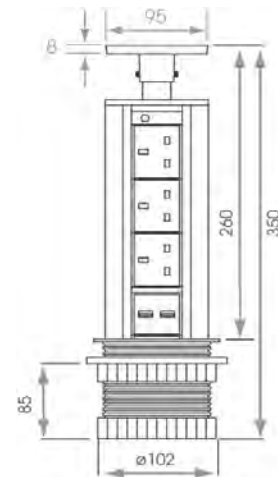


20W 12Vdc LED Driver / Power Connector

For use with LED strip light over 3 metres in length.
12Vdc rated. 20W maximum. Complete with 6 way AMP block.

Code: SL6PD20W

POWER SOCKETS



Powertech Power Socket Pop Up

Space saving pop up socket specifically designed for use within the kitchen. Alternative to unsightly wall sockets. Choice of Stainless Steel Effect or Black Swivel top. Can be operated in up or down position. 3 x 3pin UK sockets and 2 x USB ports. Capable of simultaneous power and charging. Simple installation process. 102mm cut out. 100A per USB port.

Available in:
Powertech with
Stainless Steel Effect Top

Code:
SLPTMSS

Powertech with
Black Top

SLPTBL